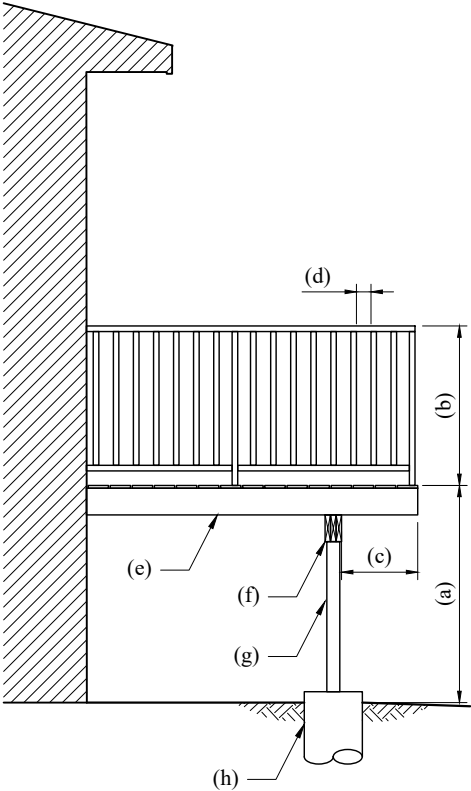
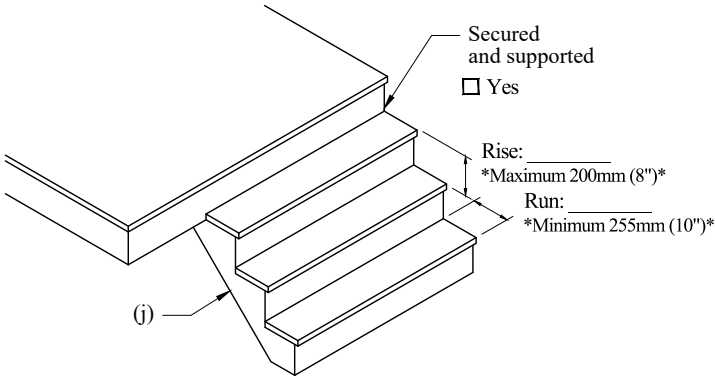


# DECK WORKSHEET



**DECK**



**NOTE:** Handrail required when more than 3 risers.

**STAIR**

**Please complete the following:**

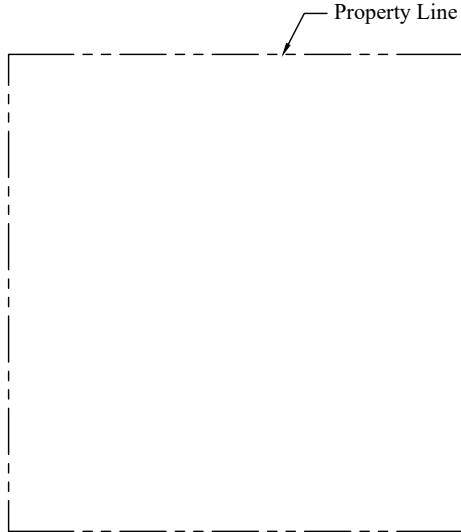
**DECK DESIGN:**

- (a) Deck Height: \_\_\_\_\_  
\*Guardrail required when deck height is > 600mm (24") above finished grade\*
- (b) Guardrail Height: \_\_\_\_\_
- (c) Cantilever: \_\_\_\_\_  
\*Maximum 600mm (24")\*
- (d) Maximum 100mm (4") spacing

**DECK CONSTRUCTION:**

Guardrail Construction (check all that apply)

- Glass       Vertical Spindles
- Wood         Horizontal Spindles  
                  \*permitted when deck is < 4.2m (13'-9")\*
- Metal
- (e) Joist Size: 2x \_\_\_\_\_  
Material: \_\_\_\_\_
- (f) Beam Size:     2     3     4    - 2x \_\_\_\_\_  
Material: \_\_\_\_\_
- (g) Column Size:  4x4       6x6  
Material: \_\_\_\_\_  
Number of Columns: \_\_\_\_\_
- (h) Foundation:
  - Deck Blocks
  - Piles: Diameter \_\_\_\_\_ x Depth \_\_\_\_\_
- (j) Stringer Size: 2x \_\_\_\_\_  
Material: \_\_\_\_\_  
Number of Stringers: \_\_\_\_\_



**SITE PLAN:**

Sketch house footprint and deck location and indicate the following:

- Overall dimensions of deck
- Distance to property lines
- Location of beams
- Location of columns

	JOIST SPANS	
Joist Size	16" o.c.	24" o.c.
<b>2 x 6</b>	9'-0"	8'-2"
<b>2 x 8</b>	11'-2"	10'-7"
<b>2 x 10</b>	13'-5"	12'-9"

	2 PLY BEAMS		
Joist Length	2 x 6	2 x 8	2 x 10
<b>8'-0"</b>	6'-7"	8'-5"	10'-3"
<b>10'-0"</b>	6'-1"	7'-6"	9'-2"
<b>12'-0"</b>	5'-8"	6'-10"	8'-4"

	3 PLY BEAMS	
Joist Length	2 x 8	2 x 10
<b>8'-0"</b>	9'-10"	12'-7"
<b>10'-0"</b>	9'-2"	11'-3"
<b>12'-0"</b>	8'-5"	10'-3"

**Owner's Name:** \_\_\_\_\_  
**Address:** \_\_\_\_\_  
**Municipality:** \_\_\_\_\_

Provided by:

